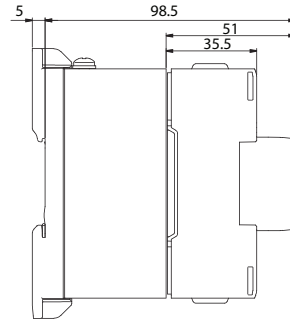
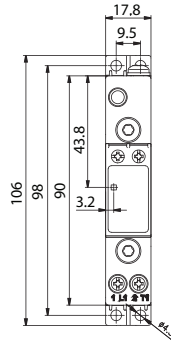
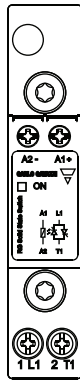
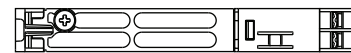
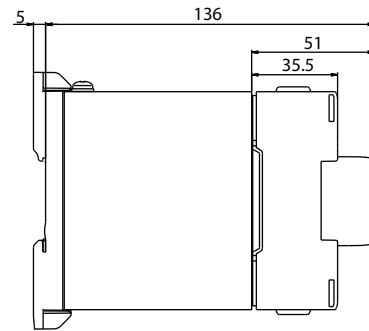
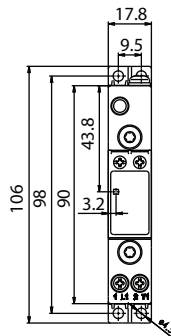
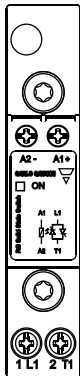


# Terminal Layout and Dimensions

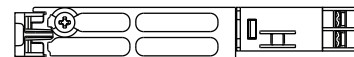
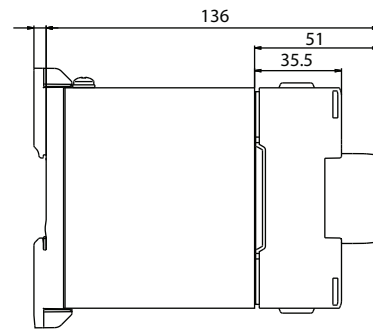
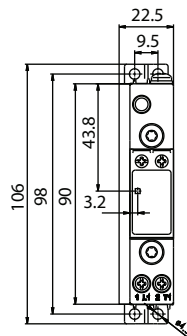
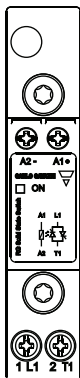
## RGC...15KGU



## RGC...20KGU



## RGC...30KGU

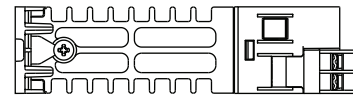
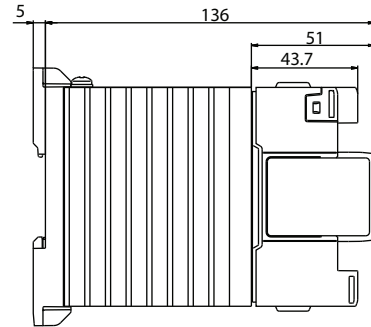
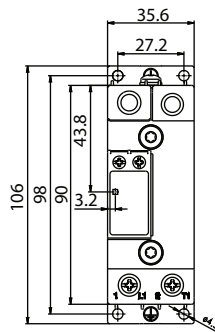
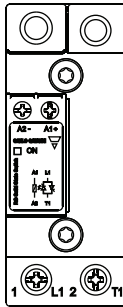


1/L1: Supply connection  
 2/T1: Load connection  
 A1 (+): Positive control signal  
 A2 (-): Control ground

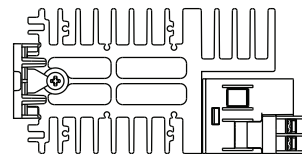
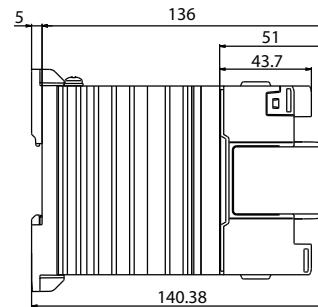
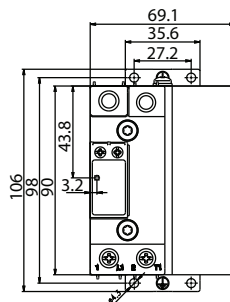
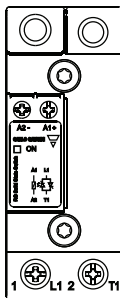
\* Housing width tolerance +0.5mm, -0mm...as per DIN43880  
 All dimensions in mm

## Terminal Layout and Dimensions

### RGC...40KGU



### RGC...60KGU

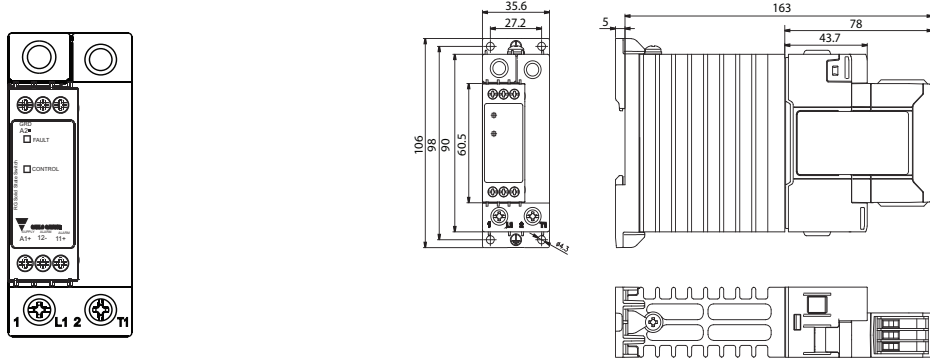


- 1/L1: Supply connection
- 2/T1: Load connection
- A1 (+): Positive control signal  
(Positive supply in case of RGC1A..D90GGUP)
- A2 (-): Control ground
- IN1: Control signal (only for RGC1A..D90GGUP)
- IN2: Fan + supply (only for RGC1A60A90GGUP)
- IN3: Fan - supply (only for RGC1A60A90GGUP)
- 11 + : Alarm output (+)
- OUT, 12 - : Alarm output (-)

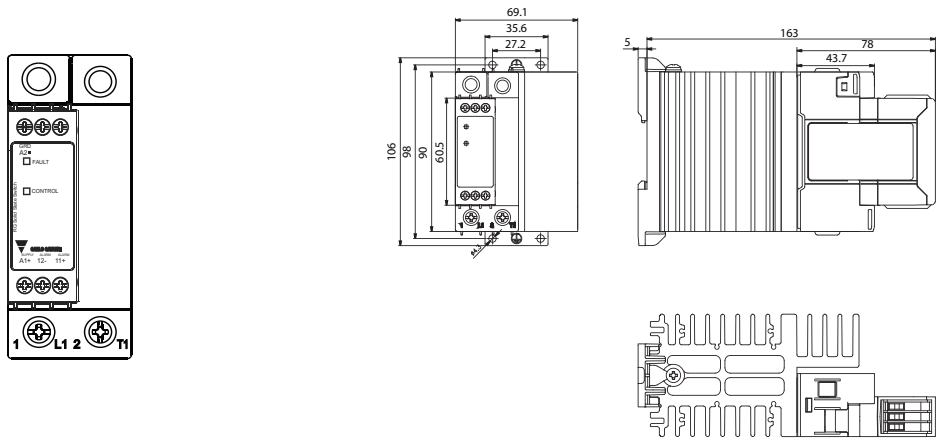
\* Housing width tolerance +0.5mm, -0mm...as per DIN43880  
All dimensions in mm

## Terminal Layout and Dimensions (cont.)

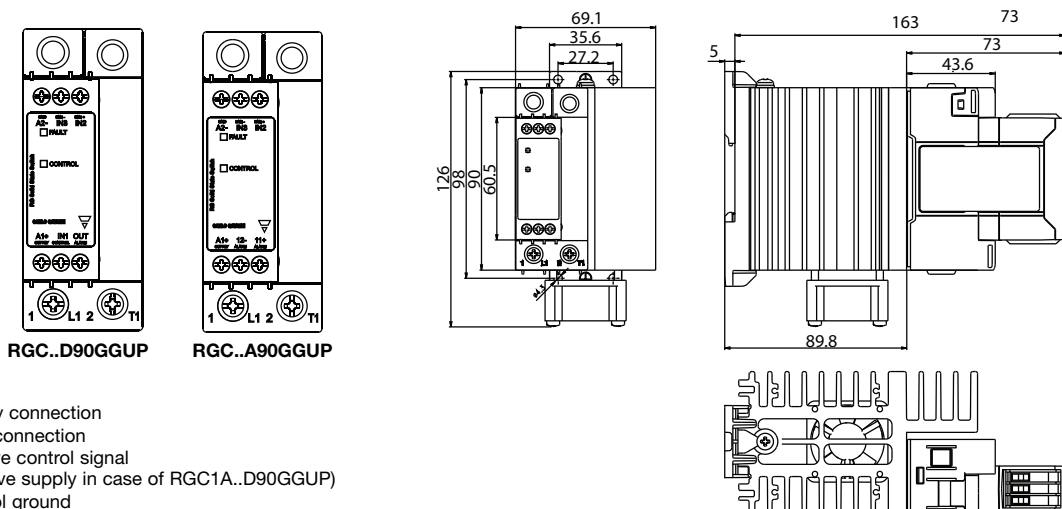
### RGC...40GGUP



### RGC...60GGUP



### RGC...90GGUP



- 1/L1: Supply connection
- 2/T1: Load connection
- A1 (+): Positive control signal  
(Positive supply in case of RGC1A..D90GGUP)
- A2 (-): Control ground
- IN1: Control signal (only for RGC1A.. D90GGUP)
- IN2: Fan + supply (only for RGC1A60A90GGUP)
- IN3: Fan - supply (only for RGC1A60A90GGUP)
- 11 + : Alarm output (+)
- OUT, 12 - : Alarm output (-)

\* Housing width tolerance +0.5mm, -0mm...as per DIN43880  
All dimensions in mm